

# CRL Glass Rooms

Outdoor Living Collection

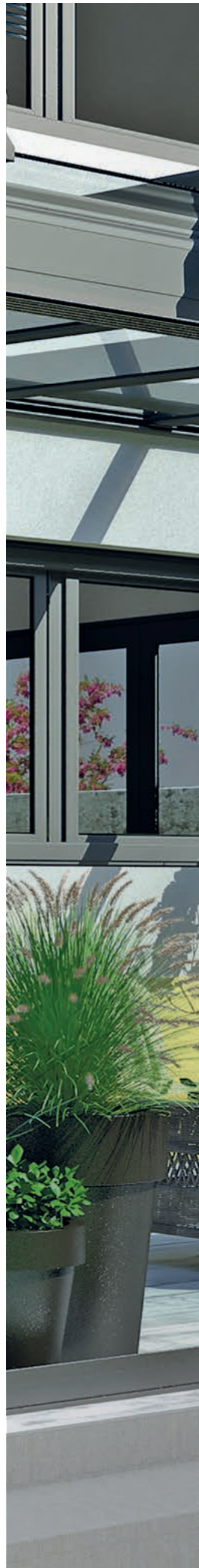




## CRL Glass Rooms - make the most of your garden whatever the weather.

---

All year round CRL Glass Rooms provide you with a comfortable environment for you to enjoy your beautiful outdoor area, while protecting you from the changing seasons, whether it be sun, wind or rain.





# Contents

4. Design

8. Layout Options

10. Construction

12. Drainage

14. Optional Extras

- Fixed Glass Panels
- Sliding Glass Doors
- Integrated Roof Blinds
- Vertical Blinds
- Lighting
- Heating



# Modern Design

---

CRL Glass Rooms have a modern progressive design, all of the individual components such as rafters and wall connectors have been designed to complement each other perfectly, creating a sophisticated and modern appearance.

Its timeless design integrates seamlessly with almost all types of architecture and with the range of optional extras you can create a space that is truly in keeping with your home.



“

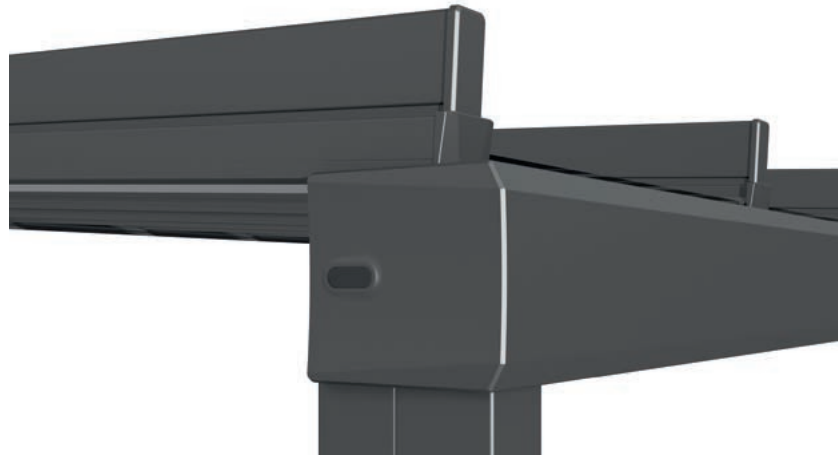
Perfect for alfresco  
entertaining whatever  
the weather.”





“

The ultimate comfort and unlimited design flexibility make a CRL Glass Room the ideal addition to your home.”



# Intelligent Modular Design

---

The main structure of CRL Glass Rooms is aluminium meaning very few supports are required to span large areas.

The intelligent design of the connectors enables a high degree of flexibility and the attractive design gives a sleek, lightweight look while making it extremely stable and giving the structure longevity.

The flexible design of the Glass Rooms means many variations are possible, and with the optional extras of sliding doors and vertical blinds you can have a truly unique space to enjoy your garden throughout the changing seasons.

# Custom Design

---

CRL Glass Rooms are completely bespoke and designed to suit your needs. Take a look at some of the possibilities to give you an idea of the Glass Room that would suit your space.

\*Please note for CRL Glass Rooms with 90° corners the drainage down pipe will be slightly different to that shown in the images.



## CRL Glass Rooms with two vertical supports

---

CRL Glass Rooms can span large areas using just two vertical supports with a projection of up to 6 m. A simple two post design gives a minimalistic look, with uninterrupted views across your outdoor area and beyond.





## CRL Glass Rooms with multiple vertical supports

---

By using 3 or more vertical supports the CRL Glass Room can span even the largest of spaces and with a projection of up to 6 m your outdoor living area can truly be something special.



## CRL Glass Rooms with a 90° Corner\*

---

CRL Glass Rooms can negotiate those tricky corners, giving you a dual aspect across your outdoor area.

“

In the Spring and Summer months life tends to move outdoors. The CRL Glass Room can enable that without the worry of that swift dash back indoors should the weather not cooperate.”





# Construction

---

The sleek lightweight attractive aluminium design is both aesthetically pleasing as well as robust. As standard, all rafters come with integrated channels for fitting lighting and discretely attaching motorised awnings.

- Available in white, grey, anthracite and a range of on trend RAL colours to suit many designs, however custom RAL colours are available on request
- Maximum projection length 6 m



# Integrated Drainage

The inconspicuous drainage is cleverly integrated into the post, rainwater is channelled through the gutter into the drain pipe.

The front profile of the post can be easily removed using a clip system to allow easy access to the drain.

Drainage is also concealed in the profile underneath the side gutter and wall connector cover.





“

Make the most of  
your garden whatever  
the weather!



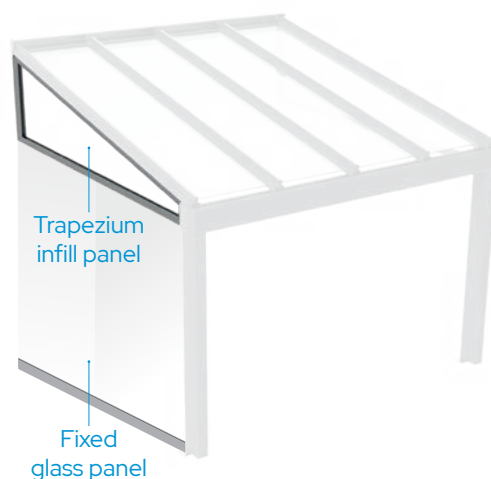
# Fixed Glass Panels

## For permanent wind and weather protection.

A fixed glass panel is ideal for those wanting permanent wind and weather protection whilst preserving unobstructed views across the outdoor space.

The fixed glass panels are framed with aluminium, easy to install and ideal for use with vertical blinds for when sun, shade or privacy is required.

Fixed Glass Panels require a glass trapezium infill panel. The pitch and projection of the panel will be specifically tailored to suit the requirements of your outdoor area.





# Sliding Glass Doors

---

## Versatile, convenient, customisable and elegant.

This versatile all glass sliding door provides wind and weather protection for use with the terrace roofs.

Flush mounted floor tracks provide a seamless transition to the outside. These smooth running and easy to operate transparent doors ensure you're protected from the worst of the elements while still being able to enjoy the view.

- Stainless steel running mechanism for smooth running
- Convenient lock with retraction centring
- Height adjustable panels
- Sophisticated rails with drainage

Sliding Glass Doors require a glass trapezium infill panel (see illustration on page 14). The pitch and projection of the panel will be specifically tailored to suit the requirements of your outdoor area.



# Integrated Electric Roof Blinds

---

The glazed roof draws huge amounts of natural light onto the terrace below. Integrated electric roof blinds can be added for comfort when the sun gets too low.

Relax in a pleasant shaded atmosphere with customised roof blinds. Featuring zip technology the light gap between the guide rail and the fabric is eliminated.

An extensive range of accessories such as lighting rails, heating elements and wireless motors with sensors for sun, rain and wind are available. Its contemporary design and wide range of colour options gives you total design control.





# Vertical Blinds

---

## The perfect solution for low sun and gentle breeze.

Vertical blinds are ideal for use as either a privacy screen, for shade when the sun is low or as a barrier against gentle breeze.

The blinds can be retracted quickly and easily and can even be removed for the winter months. Available in a variety of fabrics and patterns to suit any taste or style.

- The fabric contains a UV blocker
- Dirt and water repellent





## Lighting Rail

---

**Make the most of the outdoors well into the night with the LED lighting rail.**

The lighting rail can either be wall mounted, installed within the awning cassette or integrated into the aluminium supports of the roof.

LED lights that are integrated into the aluminium supports are barely visible during the day as they are installed in the lower groove of the rafter.

At night these dimable LED lights provide an even illumination across the Glass Room.



## Infrared Heating

---

**Relax with your friends and family safe in the knowledge that when the temperature cools you can simply turn up the heat.**

No need to cut short your evenings when the cool night air kicks in. The infrared heating element reaches temperature after just 30 seconds. The modern sleek design offers an efficient heating solution.

**C. R. Laurence of Europe**  
Call FREE on 00 800 0421 6144

---

**C. R. Laurence of Europe**

Charles Babbage Avenue, Kingsway Business Park,  
Rochdale, OL16 4NW, England  
Tel: +44 (0) 1706 863 600 Fax: +44 (0) 1706 869 860  
[crlglassrooms.co.uk](http://crlglassrooms.co.uk)

